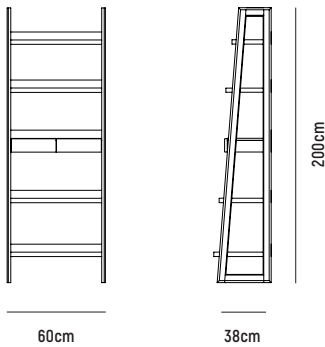




# ALTO BOOKCASE



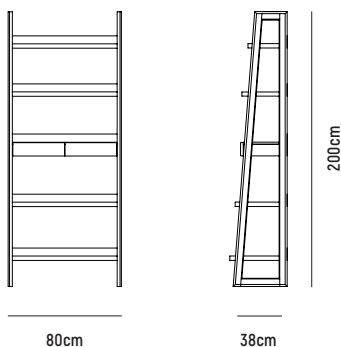
## ALTO BOOKCASE 60

**OVERALL DIMENSION** : W 600mm x D 380mm x H 2,000mm

**MATERIAL** : Solid American Oak (frame) and American Oak Veneer on MDF (shelves), All in Clear Polyurethane Finish

**ASSEMBLY** : Fully Assembled

**WARRANTY** : 3 Year Timber & Structural Warranty (excluding finish)



## ALTO BOOKCASE 80

**OVERALL DIMENSION** : W 800mm x D 380mm x H 2,000mm

**MATERIAL** : Solid American Oak (frame) and American Oak Veneer on MDF (shelves), All in Clear Polyurethane Finish

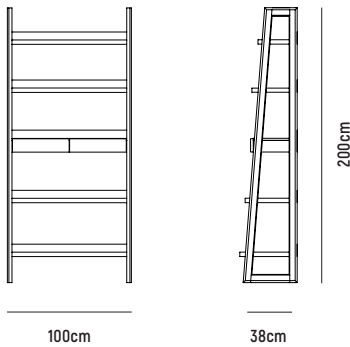
**ASSEMBLY** : Fully Assembled

**WARRANTY** : 3 Year Timber & Structural Warranty (excluding finish)



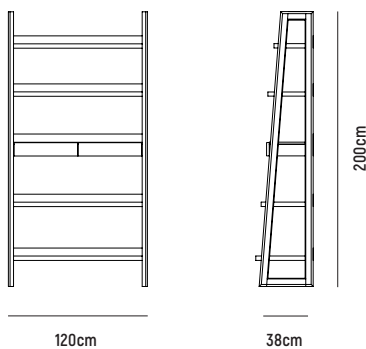


# ALTO BOOKCASE



## ALTO BOOKCASE 100

- OVERALL DIMENSION** : W 1,000mm x D 380mm x H 2,000mm
- MATERIAL** : Solid American Oak (frame) and American Oak Veneer on MDF (shelves), All in Clear Polyurethane Finish
- ASSEMBLY** : Fully Assembled
- WARRANTY** : 3 Year Timber & Structural Warranty (excluding finish)



## ALTO BOOKCASE 120

- OVERALL DIMENSION** : W 1,200mm x D 380mm x H 2,000mm
- MATERIAL** : Solid American Oak (frame) and American Oak Veneer on MDF (shelves), All in Clear Polyurethane Finish
- ASSEMBLY** : Fully Assembled
- WARRANTY** : 3 Year Timber & Structural Warranty (excluding finish)

